



SELF-CONTAINED FLAKER

FM-150KE-50(-N)

PARTS LIST

[HE]

F080-C127, F080-C129

B-1 APR. 2012
C-1 APR. 2013

AUXILIARY CODE

U - 1

The auxiliary code is the first two characters in the serial number. The first character indicates the production year. Years progress or regress in alphabetical order. The series of letters and skipped letters depend on UL listing, production, and model. See the auxiliary code(s) and corresponding year(s) on the front cover.

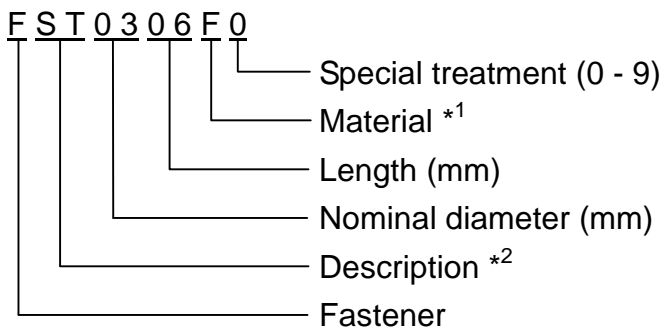
The second character indicates significant part changes within the same year. Base is "1" and this number advances for each change. If there is no significant part change at the turn of the year, this number starts from "0."

MARKS LOCATED UNDER THE AUXILIARY CODE

- = Part deleted.
- x = Part deleted and replaced by "o" part.
- o = New part in place of "x" part.

FASTENER PART NUMBER

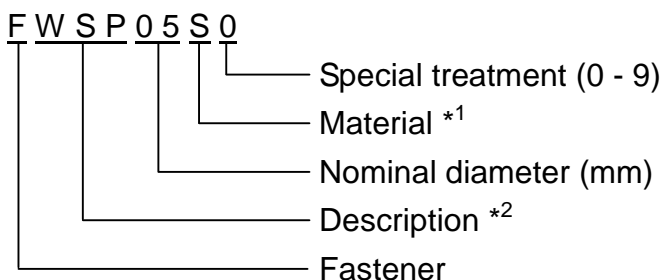
SCREWS



*1 Material

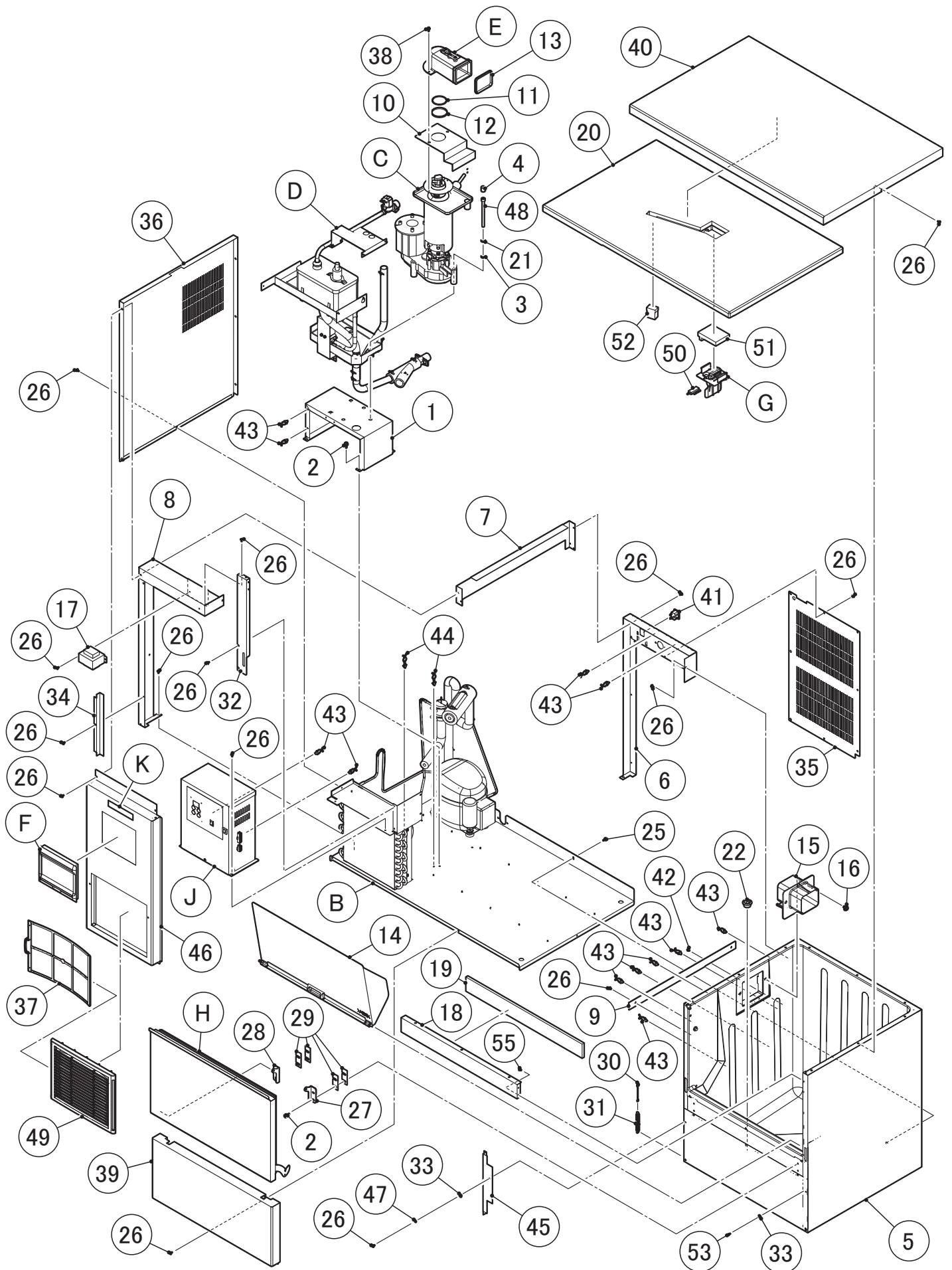
- F: Steel
- S: Austenitic stainless steel
- M: Martensitic stainless steel
- B: Copper alloy
- P: Polycarbonate
- N: Polyamide
- V: PVC
- A: ABS
- X: Polyacetal
- L: Aluminum

NUTS & WASHERS



*2 Description

- First letter
- S: Machine screw
- T: Tapping screw
- M: Wood screw
- B: Bolt
- W: Washer
- N: Nut

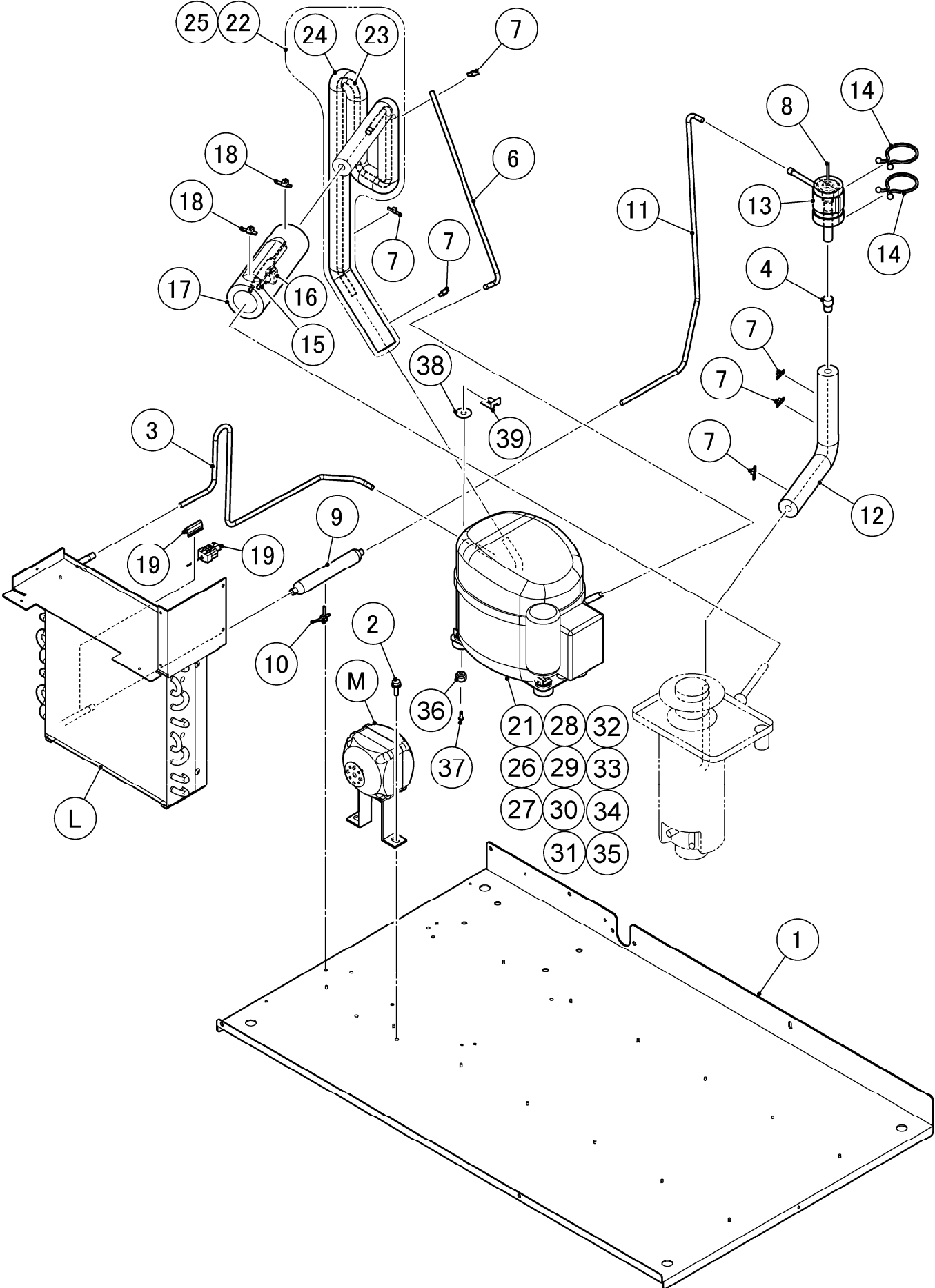


HE

| MODEL: FM-150KE-50, FM-150KE-50-N | | TITLE: A. ICE FLAKER ASSY | | | | | | |
|--------------------------------------|--------------------------------------------------|----------------------------------|-------------|--------------|-----|--|--|--|
| INDEX NO. | DESCRIPTION | MATERIAL OR MODEL NUMBER | PART NUMBER | REQ'D NUMBER | | | | |
| | | | | B-1 C-0 | C-1 | | | |
| B | REFRIGERATION CIECUIT | | 121616001 | 1 | 1 | | | |
| C | ICE MAKING UNIT | | 376130A01 | 1 | 1 | | | |
| | | F080-C129 | 376130001 | 1 | 1 | | | |
| D | WATER CIRCUIT ASSY | | 121617A01 | 1 | 1 | | | |
| E | SPOUT ASSY | | 358941A01 | 1 | 1 | | | |
| F | WINDOW PANEL ASSY | | 348243A03 | 1 | 1 | | | |
| G | ACTUATOR ASSY | | 350301A01 | 1 | 1 | | | |
| H | DOOR ASSY | | 373748A01 | 1 | 1 | | | |
| J | CONTROL BOX ASSY | | 261574A02 | 1 | 1 | | | |
| K | LABEL LOCATION | | 261552A04 | 1 | 1 | | | |
| | | F080-C129 | 261552A05 | 1 | 1 | | | |
| N | ACCESSORIES | | A02455-01 | 1 | 1 | | | |
| | | | | | | | | |
| 1 | BRACKET / GM | | 376111G01 | 1 | 1 | | | |
| 2 | HEX HEAD BOLT (SPRING WASHER AND FLAT WASHER) | | FBK0616S0 | 8 | 8 | | | |
| 3 | SEAL WASHER | | 458299-01 | 3 | 3 | | | |
| 4 | VINYL CAP | | 451272-01 | 3 | 3 | | | |
| 5 | BIN - FOAMED | | 261634G01 | 1 | 1 | | | |
| 6 | REAR FRAME | | 261572M01 | 1 | 1 | | | |
| 7 | SIDE FRAME | | 376024M01 | 1 | 1 | | | |
| 8 | FRONT FRAME | | 263035M01 | 1 | 1 | | | |
| 9 | BRACE - EVAPORATOR | | 476423M01 | 1 | 1 | | | |
| 10 | BRACKET-EVA | | 376026M01 | 1 | 1 | | | |
| 11 | O-RING | | 7616-G045 | 1 | 1 | | | |
| 12 | RING | | 432661-03 | 1 | 1 | | | |
| 13 | PACKING (A) - SPOUT | | 427152-02 | 1 | 1 | | | |
| 14 | SLOPE | | 362590G01 | 1 | 1 | | | |
| 15 | SPOUT(B) | | 232654-02 | 1 | 1 | | | |
| 16 | BOLT | | 462612-01 | 2 | 2 | | | |
| 17 | TRANSFORMER | | P02623-01 | 1 | 1 | | | |
| 18 | FRONT FRAME - BIN | | 466310-01 | 1 | 1 | | | |
| 19 | INSULATION - FRONT | | 466394-02 | 1 | 1 | | | |
| 20 | UPPER PANEL | | 258352G01 | 1 | 1 | | | |

HE

| MODEL: FM-150KE-50, FM-150KE-50-N | | TITLE: A. ICE FLAKER ASSY | | | | | | |
|--------------------------------------|-----------------------------------------------------------|----------------------------------|-------------|--------------|-----|--|--|--|
| INDEX NO. | DESCRIPTION | MATERIAL OR MODEL NUMBER | PART NUMBER | REQ'D NUMBER | | | | |
| | | | | B-1 C-0 | C-1 | | | |
| 21 | SPRING WASHER | | FWSP08S0 | 3 | 3 | | | |
| 22 | DRAIN PIPE | | 466275-01 | 1 | 1 | | | |
| 25 | HEX HEAD BOLT (SPRING WASHER AND FLAT WASHER) | | FBK0512S0 | 1 | 1 | | | |
| 26 | TRUSS HEAD TAPPING SCREW (S-TITE) | | FTS0408M0 | 38 | 38 | | | |
| 27 | HINGE (R) | | 4H2583-01 | 1 | 1 | | | |
| 28 | HINGE (L) | | 4H2584-01 | 1 | 1 | | | |
| 29 | HINGE SPACER (B) | | 4H0605-02 | 2 | 2 | | | |
| 30 | HOOK | | 404060-07 | 1 | 1 | | | |
| 31 | SPRING | | 4H0823-01 | 1 | 1 | | | |
| 32 | FRONT PLATE | | 358898-01 | 1 | 1 | | | |
| 33 | TAPER COLLAR | | 4H0171-01 | 2 | 2 | | | |
| 34 | BARRIER - AIR | | 466295-01 | 1 | 1 | | | |
| 35 | REAR PANEL(L) | | 261575M01 | 1 | 1 | | | |
| 36 | SIDE PANEL(L) | | 261576M01 | 1 | 1 | | | |
| 37 | AIR FILTER | | 2X0416G01 | 1 | 1 | | | |
| 38 | HEX HEAD BOLT (SPRING WASHER AND FLAT WASHER) | | FBK0412S0 | 3 | 3 | | | |
| 39 | FRONT PANEL (R) | | 362596-01 | 1 | 1 | | | |
| 40 | TOP PANEL | | 241759-02 | 1 | 1 | | | |
| 41 | CONNECTOR | | P00245-02 | 1 | 1 | | | |
| 42 | PAN HEAD MACHINE SCREW (SPRING WASHER AND FLAT WASHER) | | FSK0408S0 | 1 | 1 | | | |
| 43 | CLAMP | No. 249 | 427902-03 | 12 | 12 | | | |
| 44 | CLAMP | No.1F55 | 427902-07 | 2 | 2 | | | |
| 45 | BARRIER - AIR | | 468195-01 | 1 | 1 | | | |
| 46 | FRONT PANEL | | 376112G01 | 1 | 1 | | | |
| 47 | FLAT WASHER | | FWPL04F0 | 1 | 1 | | | |
| 48 | HEXAGON SOCKET HEAD CAP SCREW | | 461285-01 | 3 | 3 | | | |
| 49 | LOUVER | | 1H4811P01 | 1 | 1 | | | |
| 50 | REED SWITCH | | 453861-02 | 1 | 1 | | | |
| 51 | INSULATION (A) - UP | | 458667-01 | 1 | 1 | | | |
| 52 | INSULATION (B) - UP | | 458668-01 | 1 | 1 | | | |
| 53 | RIVET | SSD43BS | 7170-0003 | 1 | 1 | | | |

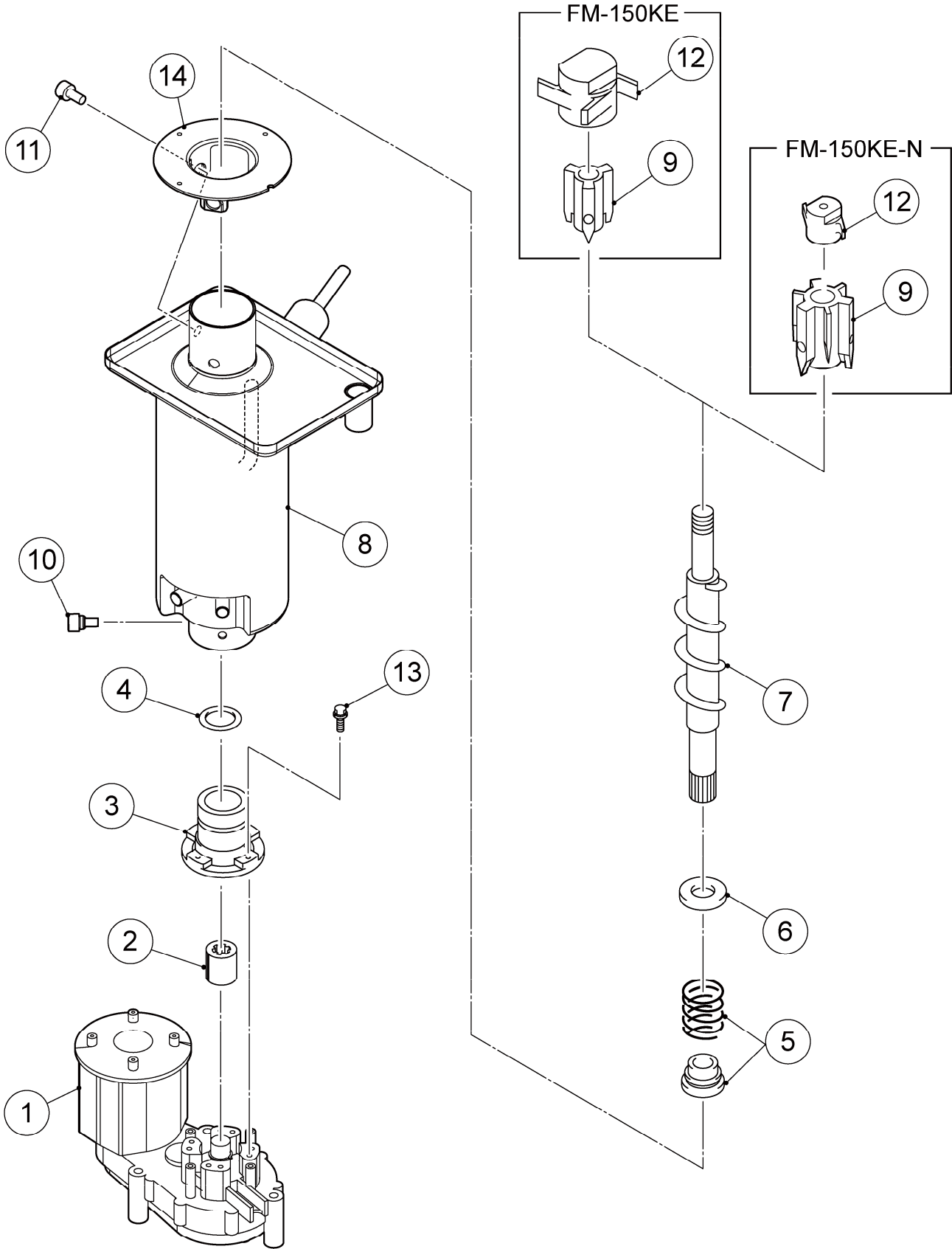


HE

| MODEL: FM-150KE-50, FM-150KE-50-N | | TITLE: B. REFRIGERATION CIRCUIT | | | | | | |
|----------------------------------------------------|----------------------------|----------------------------------------|-------------|--------------|-----|--|--|--|
| INDEX NO. | DESCRIPTION | MATERIAL OR MODEL NUMBER | PART NUMBER | REQ'D NUMBER | | | | |
| | | | | B-1 C-0 | C-1 | | | |
| L | CONDENSER ASSY | | 261567A01 | 1 | 1 | | | |
| M | FAN MOTOR ASSY | | 3Y5886A01 | 1 | 1 | | | |
| | | | | | | | | |
| 1 | BASE | | 262147G01 | 1 | 1 | | | |
| 2 | BOLT | | 458660-01 | 2 | 2 | | | |
| 3 | COPPER TUBE (A) -HIGE SIDE | | 376027M01 | 1 | 1 | | | |
| 4 | REDUCER | | 421904-01 | 1 | 1 | | | |
| 6 | PROCESS TUBE - LOW SIDE | | 476426M01 | 1 | 1 | | | |
| 7 | TIE | CV-150 | 7920-0003 | 6 | 6 | | | |
| 8 | EXPANSION VALVE | | 446808-01 | 1 | 1 | | | |
| 9 | DRIER | | P00026-01 | 1 | 1 | | | |
| 10 | TIE | | 457167-01 | 1 | 1 | | | |
| 11 | COPPER TUBE B-H | | 376028M01 | 1 | 1 | | | |
| 12 | INSULATION TUBE | | H71030300 | 1 | 1 | | | |
| 13 | VALVE COVER | | 3Y3196P01 | 1 | 1 | | | |
| 14 | CLAMP | | P00752-01 | 2 | 2 | | | |
| 15 | HOLDER - EXPV | | 451267-01 | 1 | 1 | | | |
| 16 | CLAMP | | 443461-01 | 1 | 1 | | | |
| 17 | Insulation Tube | | H73858B15 | 1 | 1 | | | |
| 18 | TIE | | 7920-0028 | 2 | 2 | | | |
| 19 | THERMISTOR ASSY | CV-300 | 476475G01 | 1 | 1 | | | |
| 20 | THERMISTOR - HOLDER | | 458132-01 | 1 | 1 | | | |
| 21 | COMPRESSOR | | P02531-01 | 1 | 1 | | | |
| 22 | SUCTION PIPE AY | | 261568A01 | 1 | 1 | | | |
| 23 | SUCTION PIPE AY | | 261568M01 | 1 | 1 | | | |
| 24 | INSULATION TUBE | 7762-1030 | H71030H10 | 1 | 1 | | | |
| 25 | NEOBELT PC | | 446470-01 | 1 | 1 | | | |
| 26 | TERMINAL BOARD | | P02612-01 | 1 | 1 | | | |
| 27 | STARTING RELAY | | P03286-01 | 1 | 1 | | | |
| 28 | PROTECTOR | | P03287-01 | 1 | 1 | | | |
| 29 | PROTECTOR RETAINER | | P02815-01 | 1 | 1 | | | |

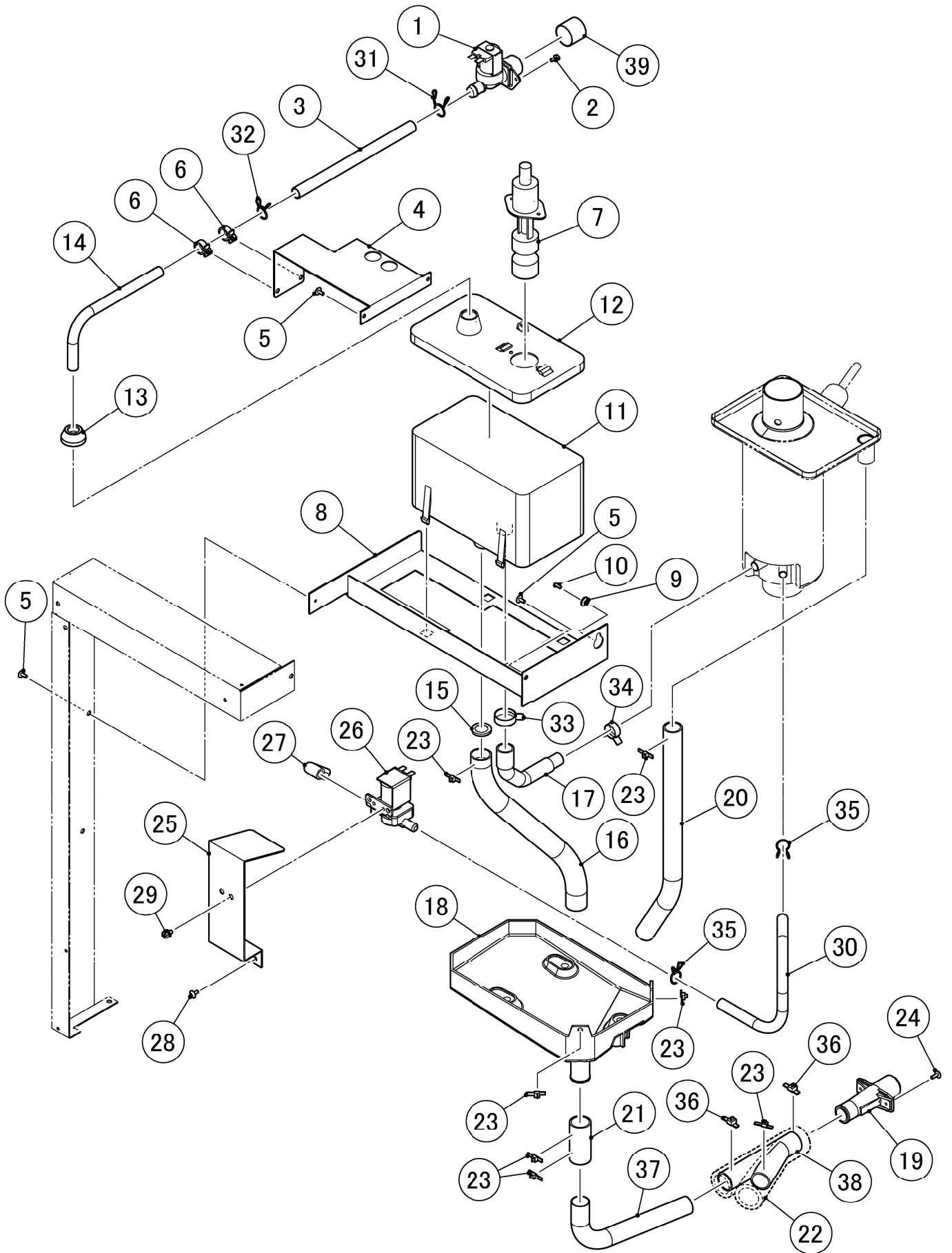
HE

| MODEL: FM-150KE-50, FM-150KE-50-N | | TITLE: B. REFRIGERATION CIRCUIT | | | | | | |
|----------------------------------------------------|--------------------------|----------------------------------------|-------------|--------------|-----|--|--|--|
| INDEX NO. | DESCRIPTION | MATERIAL OR MODEL NUMBER | PART NUMBER | REQ'D NUMBER | | | | |
| | | | | B-1 C-0 | C-1 | | | |
| 30 | SELF TAPPING SCREW M4-11 | | P02615-01 | 1 | 1 | | | |
| 31 | SELF TAPPING SCRW M4-21 | | P02616-01 | 1 | 1 | | | |
| 32 | SCREW | | P00840-01 | 2 | 2 | | | |
| 33 | HERMETIC TERMINAL COVER | | P03143-01 | 1 | 1 | | | |
| 34 | START CAPACITOR | | P03288-01 | 1 | 1 | | | |
| 35 | BRACKET FOR CAPACITOR | | P02610-01 | 1 | 1 | | | |
| 36 | RUBBER GROMMET | | P02608-01 | 4 | 4 | | | |
| 37 | PIN | | P02605-01 | 4 | 4 | | | |
| 38 | WASHER | | P02606-01 | 4 | 4 | | | |
| 39 | CLAMP | | P02607-01 | 4 | 4 | | | |



HE

| MODEL: FM-150KE-50, FM-150KE-50-N | | TITLE: C. ICE MAKING UNIT | | | | | | |
|----------------------------------------------------|------------------------|----------------------------------|-------------|--------------|-----|--|--|--|
| INDEX NO. | DESCRIPTION | MATERIAL OR MODEL NUMBER | PART NUMBER | REQ'D NUMBER | | | | |
| | | | | B-1 C-0 | C-1 | | | |
| 1 | GEAR MOTOR | | P02068-02 | 1 | 1 | | | |
| 2 | COUPLING-SPLINE ASSY | | 418316-01 | 1 | 1 | | | |
| 3 | HOUSING | | 206013G05 | 1 | 1 | | | |
| 4 | O RING | | 7616-G040 | 1 | 1 | | | |
| 5 | MECHANICAL SEAL | | 432491-01 | 1 | 1 | | | |
| 6 | RING(B) | | 432494-01 | 1 | 1 | | | |
| 7 | AUGER | | 361013G01 | 1 | 1 | | | |
| 8 | EVAPORATOR | | 241041G02 | 1 | 1 | | | |
| 9 | EXTRUDING HEAD-45F | | 327140G01 | 1 | 1 | | | |
| | EXTRUDING HEAD(NUGGET) | F080-C129 | 327141G01 | 1 | 1 | | | |
| 10 | SCREW | | P01718-01 | 4 | 4 | | | |
| 11 | SEALBOLT-M8 | | P01768-01 | 3 | 3 | | | |
| 12 | 4 CUTTER | | 427137-01 | 1 | 1 | | | |
| | CUTTER | F080-C129 | 440905-01 | 1 | 1 | | | |
| 13 | HEX.BOLT SW | 6 x 20 | 458660-01 | 4 | 4 | | | |
| 14 | FLANGE/45 | | 464843-01 | 1 | 1 | | | |



HE

| MODEL: FM-150KE-50, FM-150KE-50-N | | TITLE: D. WATER CIRCUIT | | | | | | |
|--------------------------------------|-------------------------------------------------|--------------------------------|-------------|--------------|-----|--|--|--|
| INDEX NO. | DESCRIPTION | MATERIAL OR MODEL NUMBER | PART NUMBER | REQ'D NUMBER | | | | |
| | | | | B-1 C-0 | C-1 | | | |
| 1 | WATER VALVE | | 452993-01 | 1 | 1 | | | |
| 2 | HEX HEAD BOLT | | FBH0408S0 | 2 | 2 | | | |
| 3 | SILICONE HOSE | | 4Y6912R01 | 1 | 1 | | | |
| 4 | PIPE BRACKET | | 476456M01 | 1 | 1 | | | |
| 5 | TRUSS HEAD MACHINE SCREW | | FST0408F0 | 4 | 4 | | | |
| 6 | CLAMP | | 428644-03 | 2 | 2 | | | |
| 7 | FLOAT SWITCH | | 458279-01 | 1 | 1 | | | |
| 8 | RESERVIOR BRACKET | | 362979-01 | 1 | 1 | | | |
| 9 | TAPER COLLAR | | 4H0171-01 | 1 | 1 | | | |
| 10 | RIVET | SSD43BS | 7170-0003 | 1 | 1 | | | |
| 11 | RESERVOIR | | 232626-01 | 1 | 1 | | | |
| 12 | COVER - RESERVOIR | | 232627-01 | 1 | 1 | | | |
| 13 | COVER - RESERVOIR INLET | | 415094-01 | 1 | 1 | | | |
| 14 | WATER SUPPLY PIPE (A) | | 476457M01 | 1 | 1 | | | |
| 15 | STOPPER COVER(R) | | 4X1497G01 | 1 | 1 | | | |
| 16 | PVC Hose | | HA2226300 | 1 | 1 | | | |
| 17 | HOSE A | | 458308-01 | 1 | 1 | | | |
| 18 | DRAIN PAN | | 261640P01 | 1 | 1 | | | |
| 19 | DRAIN PIPE | | 321035-01 | 1 | 1 | | | |
| 20 | PVC Hose | | HA1923340 | 1 | 1 | | | |
| 21 | PVC Hose | | HA2226030 | 1 | 1 | | | |
| 22 | INSULATION TUBE | | H72636B18 | 1 | 1 | | | |
| 23 | TIE | CV-150 | 7920-0003 | 7 | 7 | | | |
| 24 | TRUSS HEAD TAPPING SCREW T2 | | FT20410S0 | 2 | 2 | | | |
| 25 | BRACKET/WV | | 476458M01 | 1 | 1 | | | |
| 26 | WATER VALVE | | 468655-01 | 1 | 1 | | | |
| 27 | DRAIN PIPE | | 460263-01 | 1 | 1 | | | |
| 28 | TRUSS HEAD MACHINE SCREW | | FST0408S0 | 2 | 2 | | | |
| 29 | HEX HEAD BOLT (SPRING WASHER AND FLAT ASHER) | | FBK0508S0 | 2 | 2 | | | |
| 30 | PVC Hose - FSA | | HD0912240 | 1 | 1 | | | |

